

#Jenny



Finally I get this ebook, thanks for all these I can get now!

#Rio



Cool! I'am really happy

#Markus Jensen



I did not think that this would work, my best friend showed me this website, and it does! I get my most wanted eBook

#Hun Tsu



wtf this great ebook for free?!

#Che Salsa



My friends are so mad that they do not know how I have all the high quality ebook which they do not!

#Diego Butler

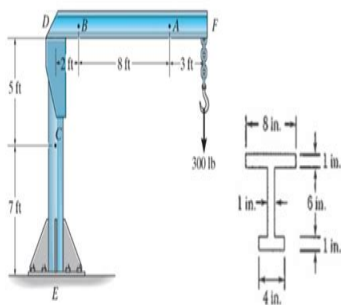


so many fake sites. this is the first one which worked! Many thanks

1. **Crane Calculation.** The boom DF of the jib crane and the column DE have a uniform weight of 50 lb/ft as shown in Figure 1. If the hoist and load weigh 300 lb,

a) Determine the resultant shear force in the crane on cross sections through points A and B.

b) Determine the stress on point A if the cross section of the boom DF is shown as Figure 2.



[Download PDF version of :](#)
Jib Crane Force Calculations Ithacash Book